

1.25W Fully Differential Audio Power Amplifier with External Feedback Resistors

CE4890

■ INTRODUCTION

The CE4890 is a fully differential audio power amplifier designed for portable communication device applications. It is capable of delivering 1.25 watt of continuous average power to an 8Ω BTL load with less than 1% distortion (THD+N) from a 5V battery voltage. It operates from 2.2 to 5.5V. Features like 86dB PSRR at 217Hz, improved RF-rectification immunity, the space-saving 8-pin MSOP8, SOP8 and DIP8 package, the advanced pop & click circuitry, a minimal count of external components and low-power shutdown mode make CE4890 ideal for wireless handsets. The CE4890 is unity-gain stable, and the gain can be configured by external input resistors and external feedback resistors.

■ APPLICATIONS

- Wireless handsets
- Portable audio devices
- PDAs
- Notebook computer

■ FEATURES

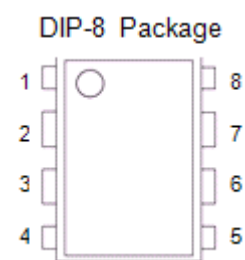
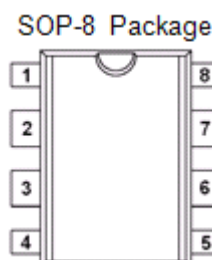
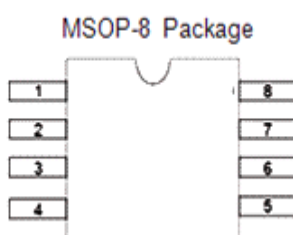
- Fully differential amplifier
- Improved PSRR at 217Hz($V_{DD}>3.0V$) 86dB (Typ.)
- Power output at 5.0V & 1% THD 1.25W (Typ.)
- Power output at 3.6V & 1% THD 0.5W (Typ.)
- Ultra low shutdown current 0.1μA (Typ.)
- Improved pop & click circuitry eliminates noises during turn-on and turn-off transitions
- Thermal overload protection circuitry
- No output coupling capacitors, bootstrap capacitors required
- Unity-gain stable
- External gain configuration capability
- Available in space-saving packages: 8-pin MSOP8,SOP8,DIP8

■ ORDER INFORMATION

CE4890①

DESIGNATOR	SYMBOL	DESCRIPTION
①	SM	Package: MSOP8
	S	Package: SOP8
	D	Package: DIP8
	—	Package: DICE

■ PIN DIAGRAM



■ PIN CONFIGURATION

MSOP8	SOP8	DIP8	SYMBOL	TYPE	FUNCTION
1	1	1	SHUTDOWN	I	Shut-down Logical Control , "0" is active
2	2	2	BYPASS	I	Common-mode voltage, connect a Bypass capacitor to ground
3	3	3	IN+	I	Positive input.
4	4	4	IN-	I	Negative input.
5	5	5	VO1	O	Positive output.
6	6	6	V _{DD}	I	Power Supply.
7	7	7	V _{SS}	I	Ground.
8	8	8	VO2	O	Negative output.

■ TYPICAL APPLICATION

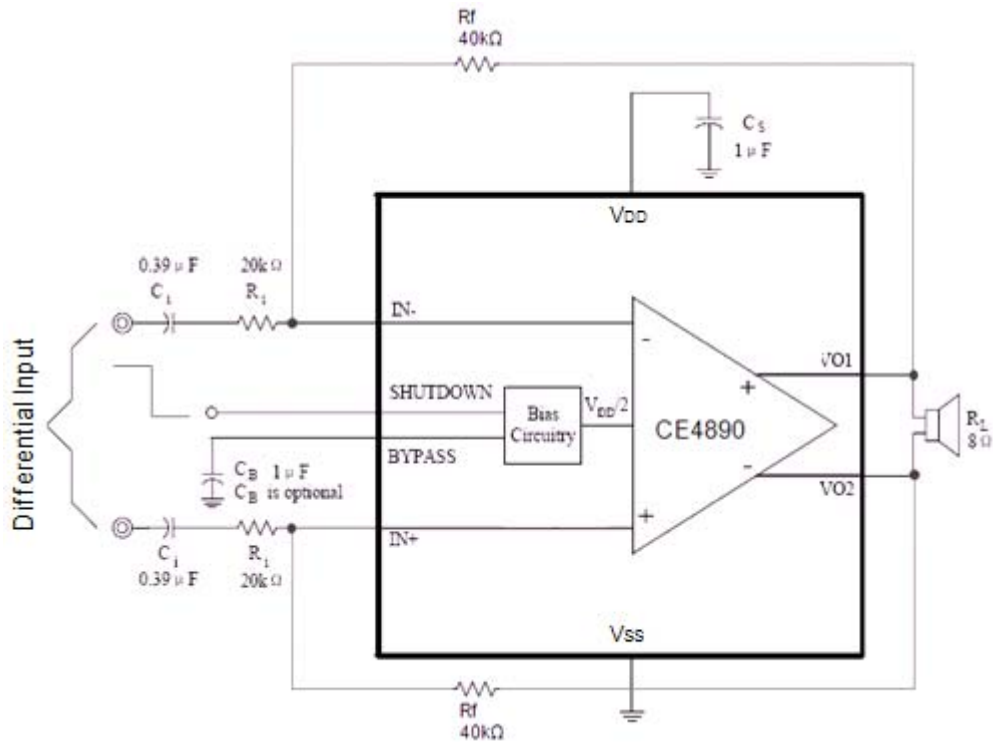


Fig1. Differential Input Application

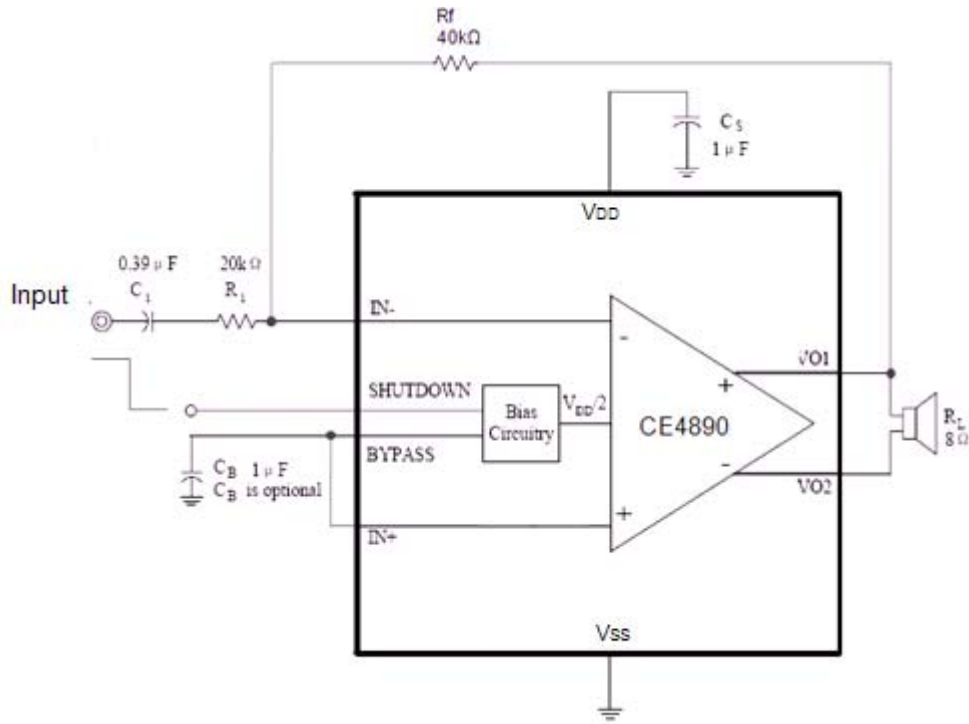


Fig2. Single-Ended Input Application

Note : Capacitor in the application can be Tantalum, Electrolytic and Ceramic etc.

■ **ABSOLUTE MAXIMUM RATINGS**

(Unless otherwise specified, Ta=25°C)

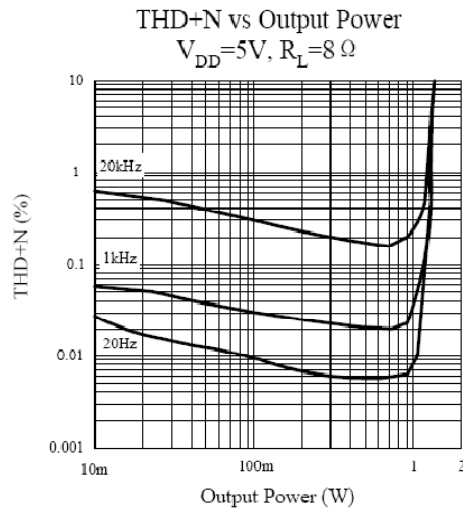
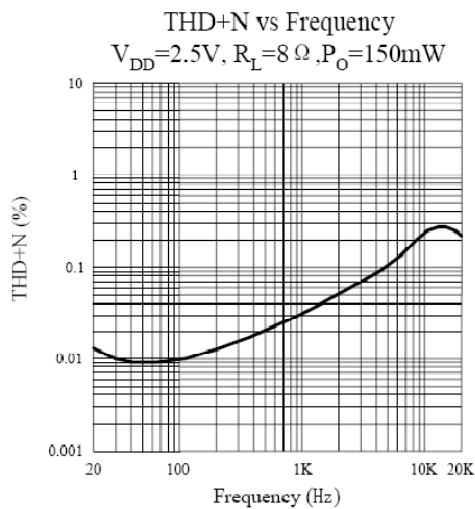
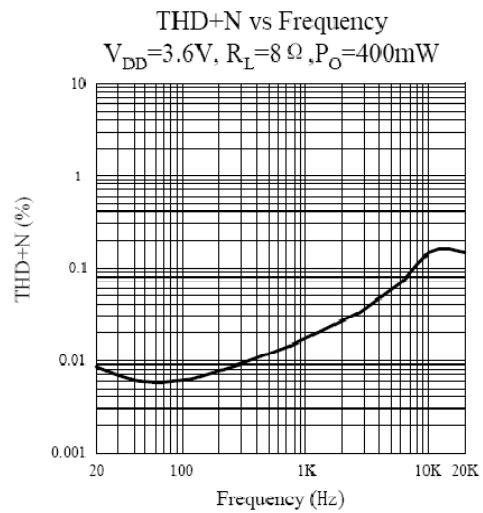
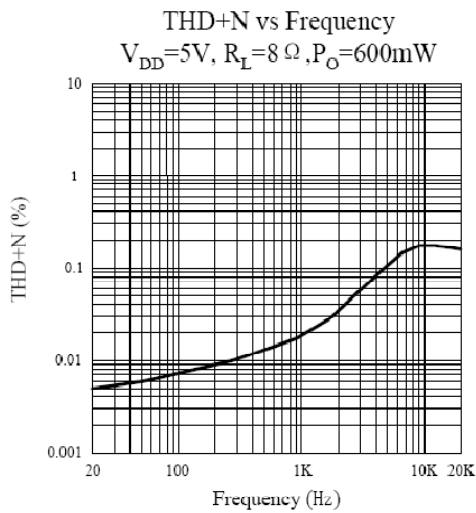
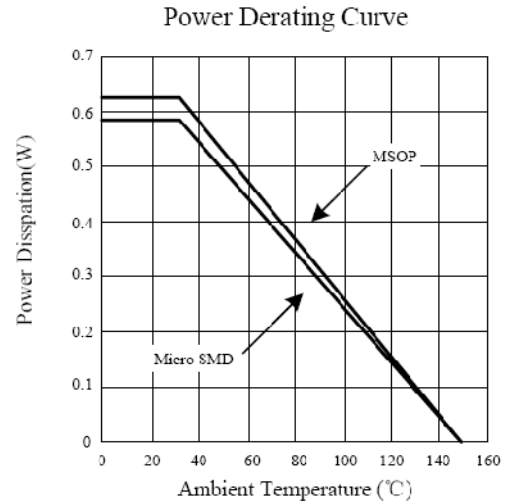
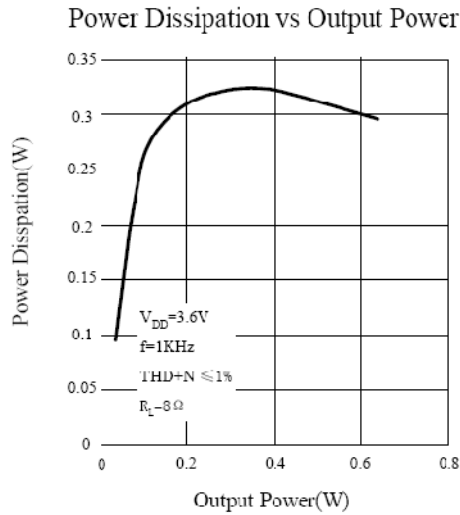
PARAMETER	SYMBOL	RATINGS	UNITS
V _{DD} pin voltage	V _{DD}	V _{SS} -0.3 ~ V _{SS} +8	V
Power dissipation	MSOP8	500	mW
	SOP8	300	mW
	DIP8	500	mW
Operating temperature	T _{opr}	-40 ~ +85	°C
Storage temperature	T _{stg}	-40 ~ +125	°C
Soldering Temperature & Time	T _{solder}	260°C, 10s	

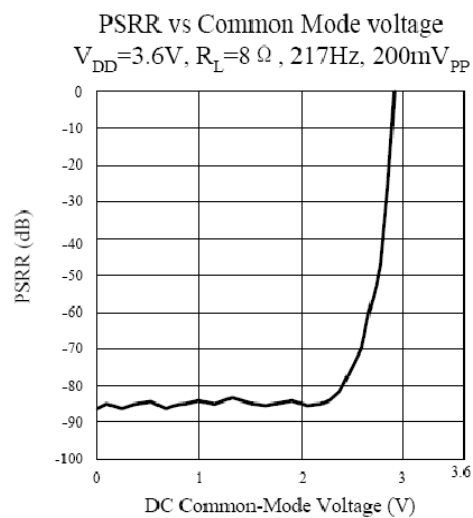
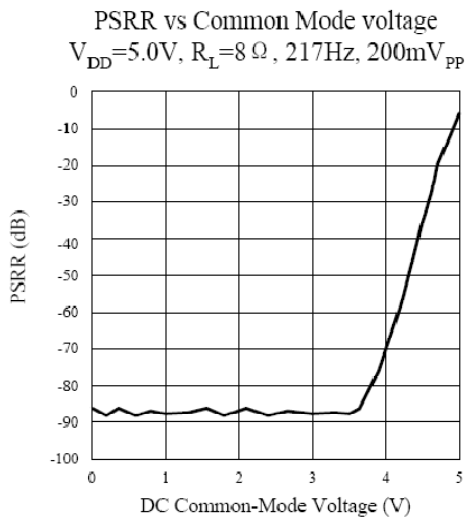
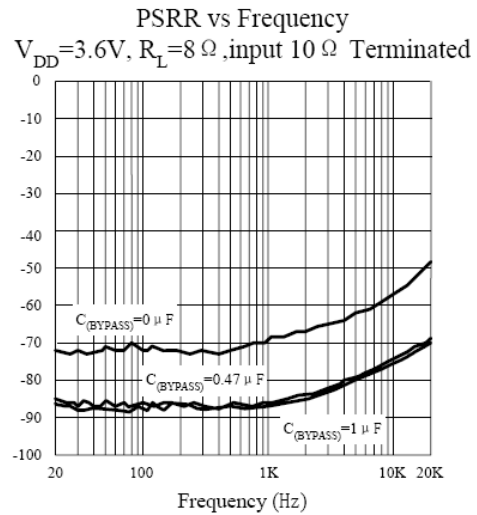
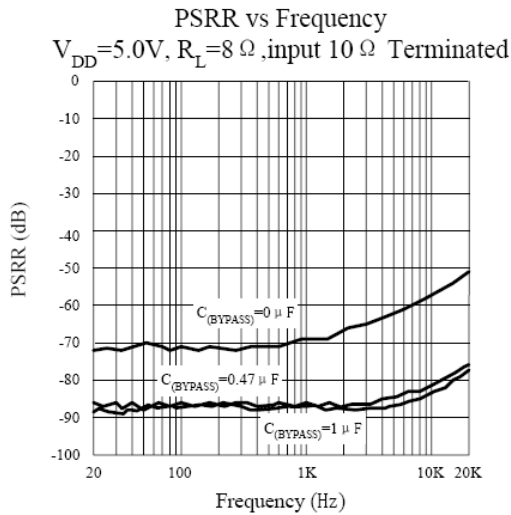
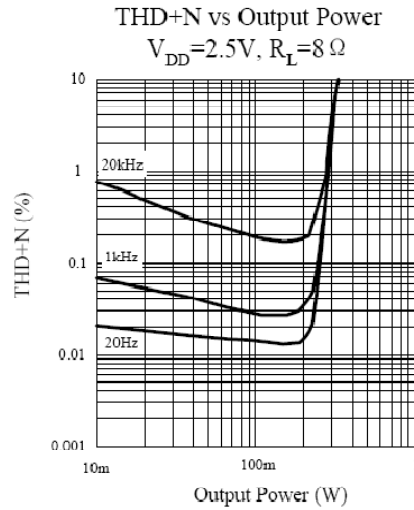
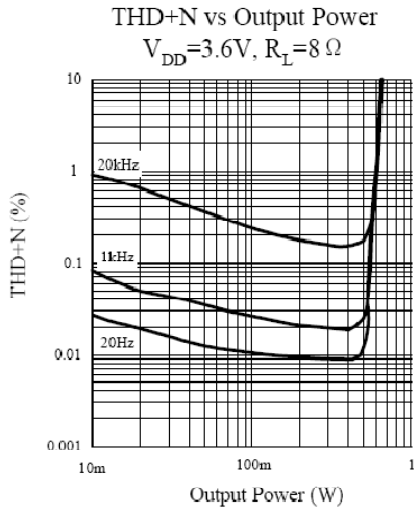
■ ELECTRICAL CHARACTERISTICS

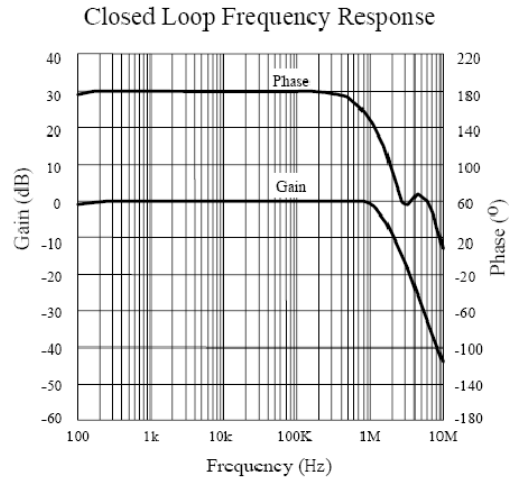
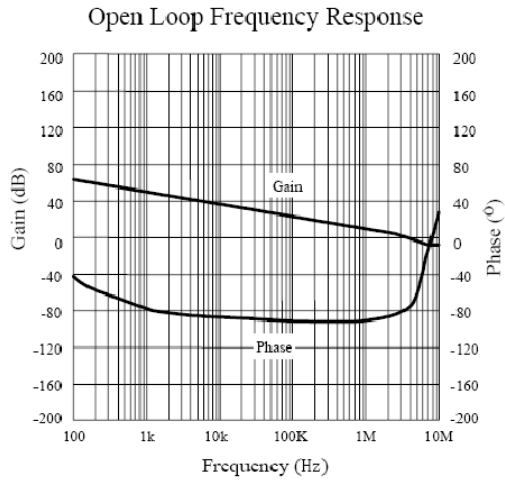
$V_{DD}=5V(8\Omega\text{load}, AV=1V, Ta=25^{\circ}C)$

PARAMETER	SYMBOL	CONDITIONS	MIN	TYP	MAX	UNITS
Current consumption	I_{DD}	$V_{IN}=0V$, no load		2.5		mA
		$V_{IN}=0V$, $R_L=8\Omega$		4		mA.
Current consumption during shutdown	I_{SHDN}	Shutdown= V_{SS}		0.1	1.0	μA
Output Power	P_O	THD=1% (max); f=1KHz		1.25		W
Total Harmonic Distortion+ Noise	THD+N	$P_o=0.6W_{rms}$; f=1KHz		0.02		%
Power Supply Rejection Ratio	PSRR	$V_{ripple}=200mV$ sine P-P				
		f=217Hz		-86		dB
		f=1KHz		-83		dB
Common Mode Rejection Ratio	CMRR	f=217Hz, $V_{CM}=200mV_{pp}$		-78		dB
Output Offset Voltage	V_{OS}	$V_{IN}=0V$		2		mV
Shutdown Voltage Input High	V_{SDIH}		1.5			V
Shutdown Voltage Output Low	V_{SDIL}				0.3	V
Closed Loop Gain	A_V			$\frac{R_f}{R_i}$		V/V

TYPICAL PERFORMANCE CHARACTERISTICS

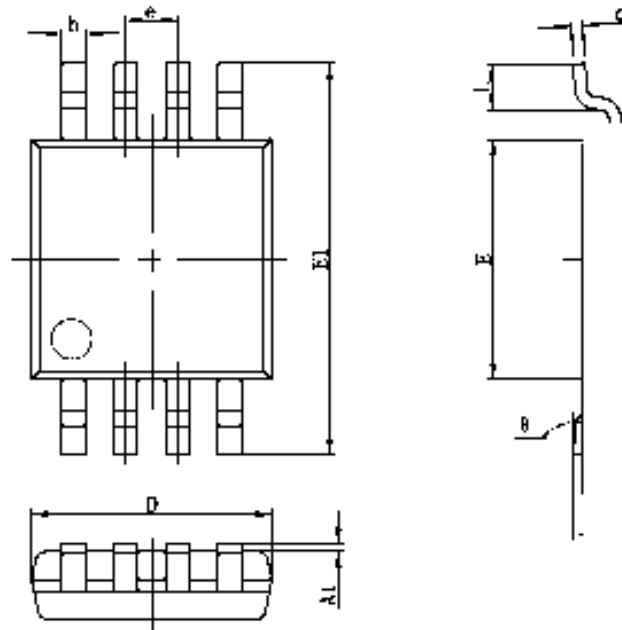






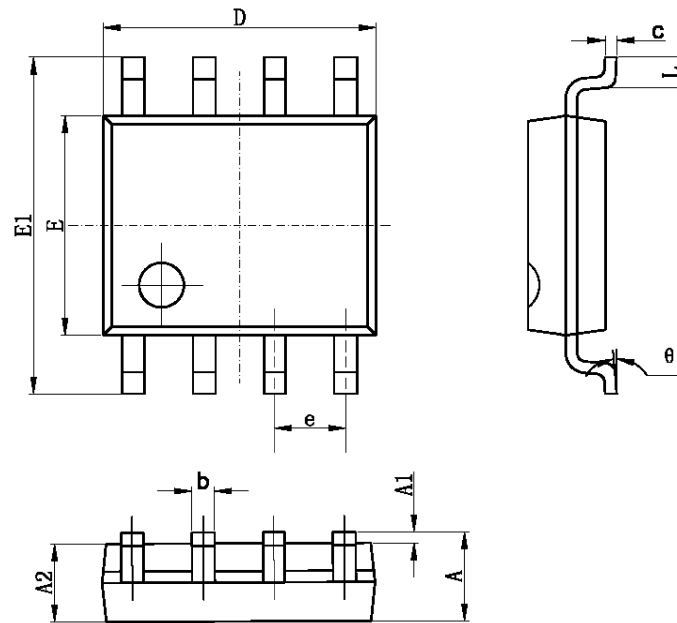
■ PACKAGING INFORMATION

● MSOP8 PACKAGE OUTLINE DIMENSIONS



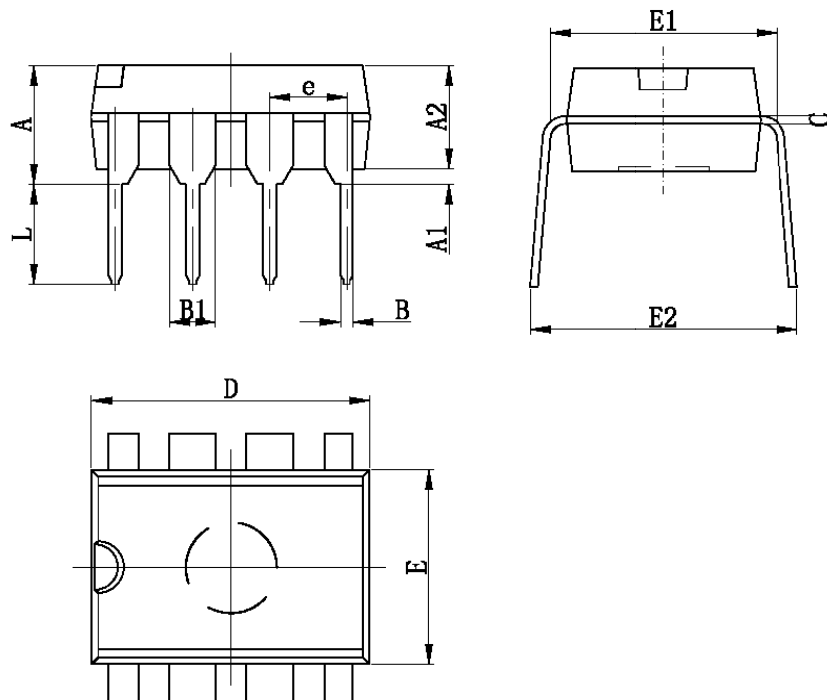
Symbol	Dimensions In Millimeters		Dimensions In Inches	
	Min	Max	Min	Max
A	0.820	1.100	0.032	0.043
A1	0.020	0.150	0.001	0.006
A2	0.750	0.950	0.030	0.037
b	0.250	0.380	0.010	0.015
c	0.090	0.230	0.004	0.009
D	2.900	3.100	0.114	0.122
e	0.650(BSC)		0.026(BSC)	
E	2.900	3.100	0.114	0.122
E1	4.750	5.050	0.187	0.199
L	0.400	0.800	0.016	0.031
theta	0°	6°	0°	6°

● SOP8 PACKAGE OUTLINE DIMENSIONS



Symbol	Dimensions In Millimeters		Dimensions In Inches	
	Min	Max	Min	Max
A	1.350	1.750	0.053	0.069
A1	0.100	0.250	0.004	0.010
A2	1.350	1.550	0.053	0.061
b	0.330	0.510	0.013	0.020
c	0.170	0.250	0.006	0.010
D	4.700	5.100	0.185	0.200
E	3.800	4.000	0.150	0.157
E1	5.800	6.200	0.228	0.244
e	1.270 (BSC)		0.050 (BSC)	
L	0.400	1.270	0.016	0.050
θ	0°	8°	0°	8°

● DIP8 PACKAGE OUTLINE DIMENSIONS



Symbol	Dimensions In Millimeters		Dimensions In Inches	
	Min	Max	Min	Max
A	3.710	4.310	0.146	0.170
A1	0.510		0.020	
A2	3.200	3.600	0.126	0.142
B	0.380	0.570	0.015	0.022
B1	1.524 (BSC)		0.060 (BSC)	
C	0.204	0.360	0.008	0.014
D	9.000	9.400	0.354	0.370
E	6.200	6.600	0.244	0.260
E1	7.320	7.920	0.288	0.312
e	2.540 (BSC)		0.100 (BSC)	
L	3.000	3.600	0.118	0.142
E2	8.400	9.000	0.331	0.354

© Nanjing Chipower Electronics Inc.

Chipower cannot assume responsibility for use of any circuitry other than circuitry entirely embodied in a Chipower product. No circuit patent license, copyrights or other intellectual property rights are implied. Chipower reserves the right to make changes to their products or specifications without notice. Customers are advised to obtain the latest version of relevant information to verify, before placing orders, that information being relied on is current and complete.