

■ **INTRODUCTION**

The CE8377 is a CMOS PFM-control step-up switching DC/DC controller. The PFM controller allows the duty ratio to be automatically switched according to the load, enabling products with a low ripple over a wide range, high efficiency, and high output current. With the CE8377, a step-up switching DC/DC controller can be configured by using an external coil, capacitor, and diode. This feature, along with the mini package and low current consumption, makes the CE8377 ideal for applications such as the power supply unit of portable equipment.

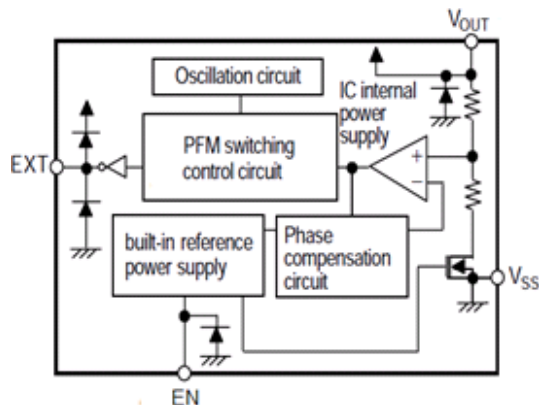
■ **FEATURES**

- Low voltage operation:  
Startup at 0.9 V @ $I_{OUT} = 1\text{ mA}$
- Working frequency: 300KHz
- External parts: Coil, capacitor, diode
- Accuracy of  $\pm 2\%$
- High efficiency: up to 90%
- Shutdown function
- Low ripple, Low noise

■ **APPLICATIONS**

- Digital cameras
- Electronic notebooks and PDAs
- Portable CD/MD players
- Cameras, video equipment,
- Communications equipment
- Power supply for microcomputers

■ **BLOCK DIAGRAM**



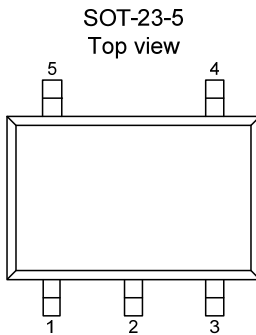
■ **ORDER INFORMATION**

**CE8377D①②③M**

DESIGNATOR	SYMBOL	DESCRIPTION
①②③	Integer	Output Voltage (1.8~6.0) e.g.: 5.15V=①:5; ②:1; ③:5

## ■ PIN CONFIGURATION

Table 1 CE8377D Series (SOT-23-5 PKG)



PIN NO.	PIN NAME	PIN DESCRIPTION
1	$V_{OUT}$	Output voltage pin and IC power supply pin
2	NC	Not Connect
3	EN	Enable pin “H”: Normal operation “L”: Step-up stopped
4	$V_{SS}$	GND pin
5	EXT	External transistor connection pin

## ■ ABSOLUTE MAXIMUM RATINGS

(Unless otherwise specified,  $T_a=25^{\circ}\text{C}$ )

PARAMETER		SYMBOL	RATINGS	UNITS
V <sub>OUT</sub> pin voltage		$V_{OUT}$	$V_{SS}-0.3 \sim V_{SS}+8$	V
EN pin voltage		$V_{EN}$	$V_{SS}-0.3 \sim V_{SS}+8$	V
EXT pin voltage		$V_{EXT}$	$V_{SS}-0.3 \sim V_{OUT}+0.3$	V
EXT pin current		$I_{EXT}$	±80	mA
Power dissipation	SOT-23-5	$P_D$	250	mW
Operating ambient temperature		$T_{opr}$	-40 ~+85	°C
Storage temperature		$T_{stg}$	-40 ~+125	°C
Soldering Temperature & Time		$T_{solder}$	260°C, 10s	

## ■ ELECTRICAL CHARACTERISTICS

(Unless otherwise specified, Ta=25°C)

PARAMETER	SYMBOL	CONDITIONS	MIN	TYP	MAX	UNITS
Output voltage	$V_{OUT}$	—	$V_{OUT(S)} \times 0.98$	$V_{OUT}$	$V_{OUT(S)} \times 1.02$	V
Input voltage	$V_{IN}$	—	—	—	6	V
Current consumption	$I_{SS2}$	$V_{OUT} = V_{OUT(S)} + 0.5 V$	—	7	—	$\mu A$
Current consumption during shutdown	$I_{SSS}$	$V_{EN} = 0 V$ , No load	—	—	1.0	$\mu A$
EXT pin output current	$I_{EXTH}$	$V_{EXT} = V_{OUT} - 0.4 V$		-32		mA
	$I_{EXTL}$	$V_{EXT} = 0.4 V$		55		mA
Line regulation	$\Delta V_{OUT1}$	$V_{IN} = V_{OUT(S)} \times 0.4$ to $\times 0.6$		30		mV
Load regulation	$\Delta V_{OUT2}$	$I_{OUT} = 10 \mu A$ to $V_{OUT(S)} / 50 \times 1.25$		30		mV
Maximum Oscillation frequency	$F_{max}$	$V_{OUT} = 0.95 \times V_{OUT(S)}$ , measure waveform at EXT pin	—	300	—	KHz
Duty ratio	Duty	$V_{OUT} = 0.95 \times V_{OUT(S)}$ , measure waveform at EXT pin	—	75	—	%
EN pin input voltage	$V_{SH}$	Measured oscillation at EXT pin	1.5	—	—	V
	$V_{SL}$	Judged oscillation stop at EXT pin	—	—	0.3	V
EN pin input current	$I_{SH}$	$V_{EN} = 0.95 \times V_{OUT(S)}$	-0.1	—	0.1	$\mu A$
	$I_{SL}$	$V_{EN} = 0V$	-0.1	—	0.1	$\mu A$
Efficiency	EFF1		—	87		%

Remark:  $V_{IN} = V_{OUT(S)} \times 0.6$  applied,  $I_{OUT} = V_{OUT(S)} / 250 \Omega$

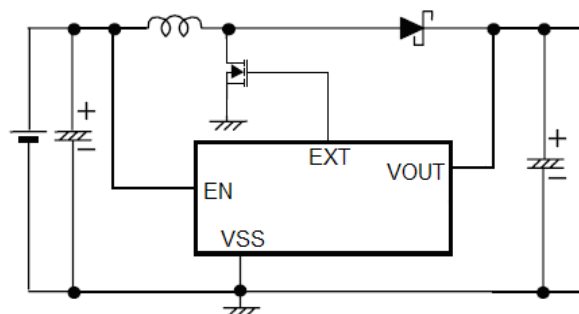
$V_{OUT(S)}$  specified above is the set output voltage value, and  $V_{OUT}$  is the typical value of the actual output voltage.

## ■ STANDARD CIRCUITS

Component: Inductor: 22 $\mu$ H(Sumida) Capacitor: 47 $\mu$ F/10V(Tantalum)

Diode: SS34、SS54

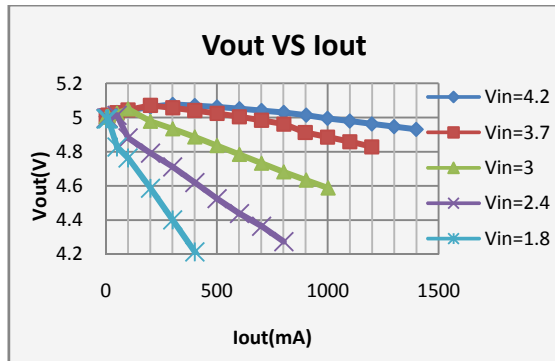
NMOS: CE2312



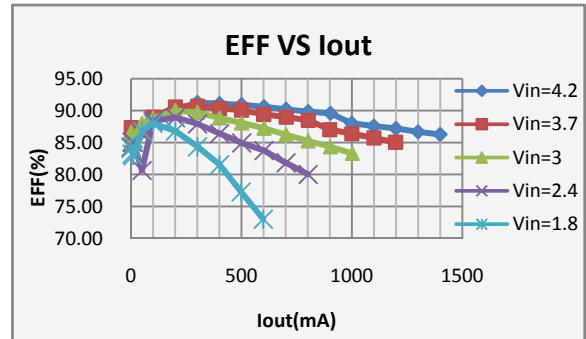
■ TYPICAL PERFORMANCE CHARACTERISTICS

CE8377D50M:

a、 $V_{OUT}$  vs.  $I_{OUT}$  :

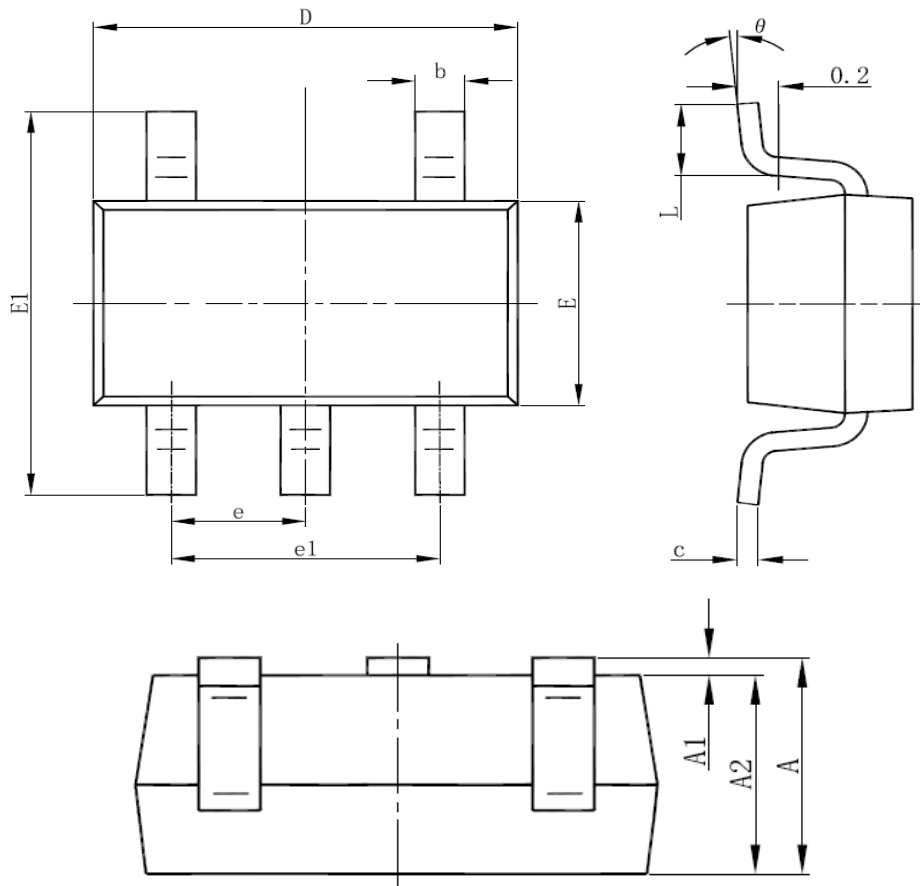


b、Efficiency vs.  $I_{OUT}$  :



## ■ PACKAGING INFORMATION

### ● SOT-23-5 Package Outline Dimensions



Symbol	Dimensions In Millimeters		Dimensions In Inches	
	Min	Max	Min	Max
A	1.050	1.250	0.041	0.049
A1	0.000	0.100	0.000	0.004
A2	1.050	1.150	0.041	0.045
b	0.300	0.500	0.012	0.020
c	0.100	0.200	0.004	0.008
D	2.820	3.020	0.111	0.119
E	1.500	1.700	0.059	0.067
E1	2.650	2.950	0.104	0.116
e	0.950(BSC)		0.037(BSC)	
e1	1.800	2.000	0.071	0.079
L	0.300	0.600	0.012	0.024
$\theta$	0°	8°	0°	8°

© Nanjing Chipower Electronics Inc.

Chipower cannot assume responsibility for use of any circuitry other than circuitry entirely embodied in a Chipower product. No circuit patent license, copyrights or other intellectual property rights are implied. Chipower reserves the right to make changes to their products or specifications without notice. Customers are advised to obtain the latest version of relevant information to verify, before placing orders, that information being relied on is current and complete.